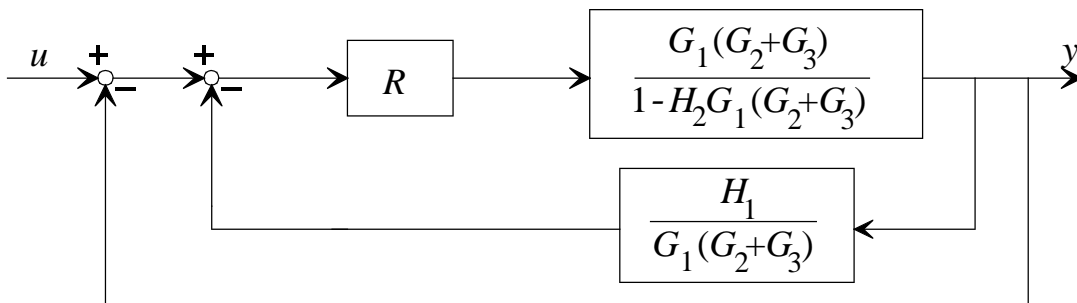
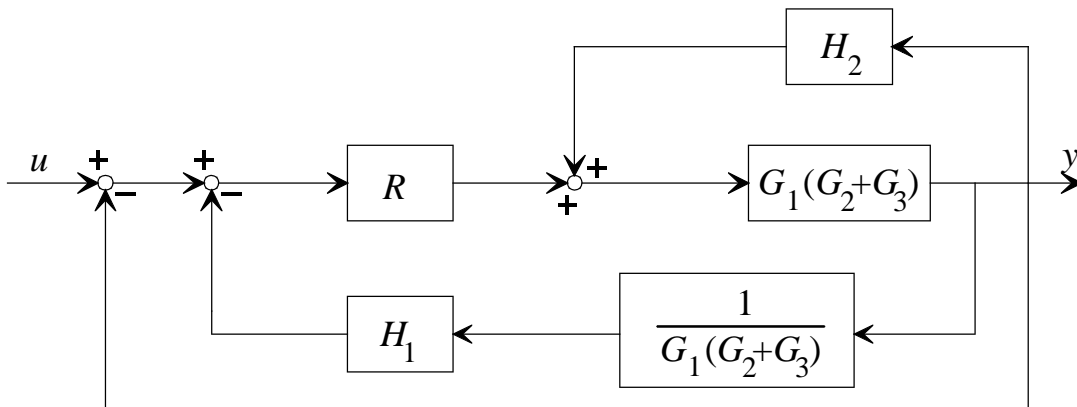
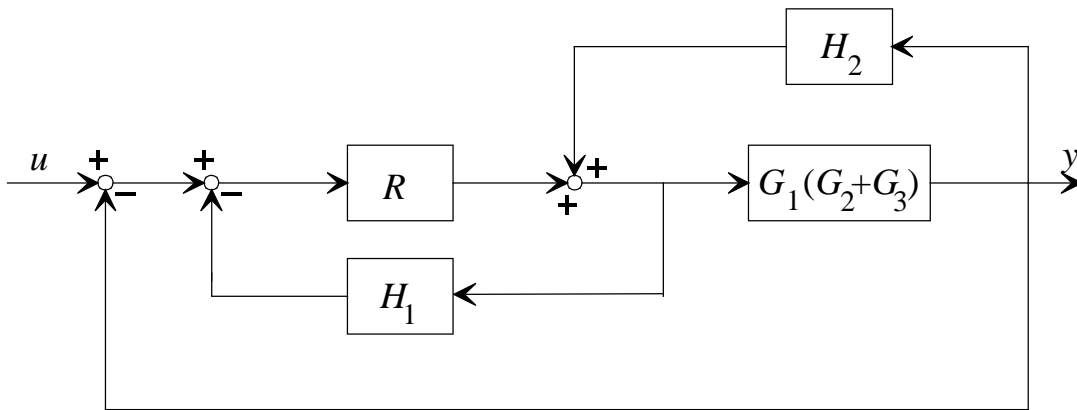


SOLUZIONE



$$F(s) = \frac{\frac{RG_1(G_2 + G_3)}{1 - H_2G_1(G_2 + G_3)}}{1 + \frac{RG_1(G_2 + G_3)}{1 - H_2G_1(G_2 + G_3)} \frac{H_1}{G_1(G_2 + G_3)}} = \frac{RG_1(G_2 + G_3)}{1 + H_1R + G_1(G_2 + G_3)(R - H_2)}$$

$$1 + \frac{\frac{RG_1(G_2 + G_3)}{1 - H_2G_1(G_2 + G_3)}}{1 + \frac{RG_1(G_2 + G_3)}{1 - H_2G_1(G_2 + G_3)} \frac{H_1}{G_1(G_2 + G_3)}}$$